

900NS STRUT NUT NO SPRING

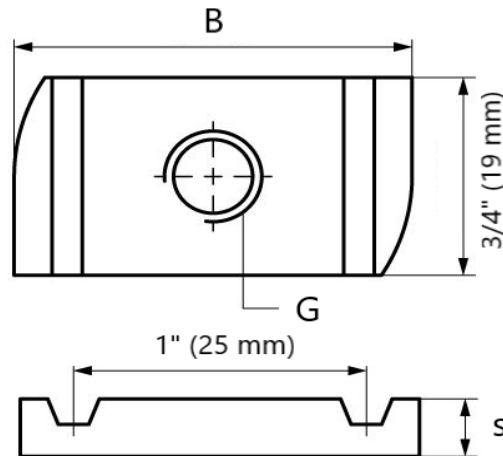
Finish Zinc Plated, Hot Dipped

Material Carbon Steel, Stainless Steel

Recommended Used to secure fittings and accessories to strut channel



Note Fits all strut profiles.
Stainless Steel 316SS available only in sizes 1/4", 3/8" & 1/2".



PART NUMBER	SPECIFICATION DATA					APP'X WT. PER 100 (LBS)	PC'S PER PKG.
	G	B (")	B (mm)	s (")	s (mm)		
900NS 1/4	1/4"	1 3/8	35	1/4	6	6	100
900NS 3/8	3/8"	1 3/8	35	3/8	9	8	100
900NS 1/2	1/2"	1 3/8	35	3/8	9	7.5	100
900NS 5/8	5/8"	1 3/8	35	3/8	9	16	100
900NS 3/4	3/4"	1 3/8	35	3/8	9	13	100
900NS M6	M6	1 5/16	34	3/16	5	5	100
900NS M8	M8	1 5/16	34	1/4	6	7	100
900NS M10	M10	1 5/16	34	3/8	9	8	100
900NS M12	M12	1 5/16	34	3/8	9	7	100

QWI 4.3.1 Issue Date Dec/23 Rev.2